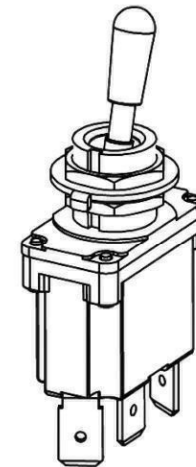
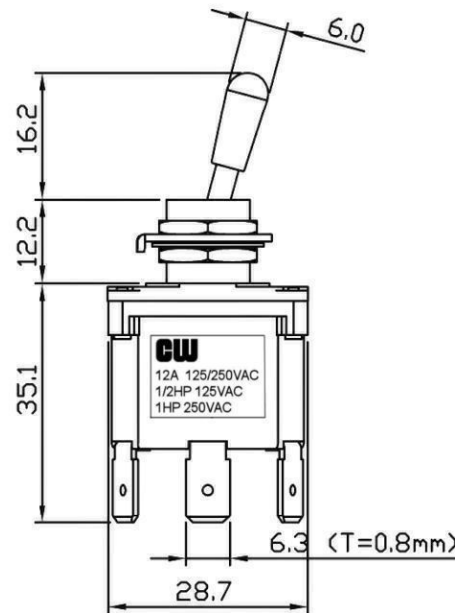
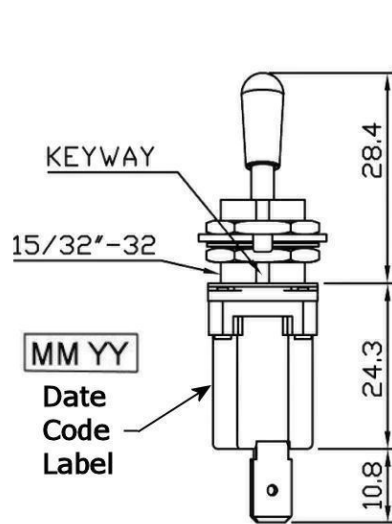
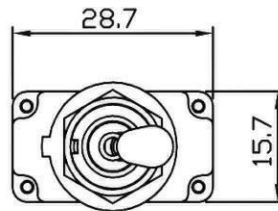
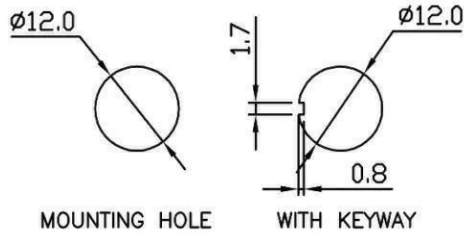


**SPECIFICATION:**

Contact resistance: 20m ohm max. (initial)  
 Insulation resistance: 100M ohm min. (at 500V DC)  
 Dielectric strength: 1,500V AC 50/60 Hz for 1 minute  
 Service life: Mechanically: 100,000 operations min.  
 Electrically: 30,000 operations min.  
 Rating: 12A 125V AC / 250V AC  
 1/2 HP 125VAC / 1HP 250VAC / 5A 125VAC "L"  
 Function: (ON) - ON SPDT  
 KEYWAY POSITION  
 Actuator: Brass / Dull Nickel Plated  
 Waterproof rating: IP68



( ) = Momentary Function

RoHS Compliant

**CW INDUSTRIES**  
 Southampton, Pa. 18966  
 Tel 215.355.7080/www.cwind.com

Date Drawn: 3-23-12

Rev. 0

Unit: mm

Checked By: *G. Gold*

Title:  
**TOGGLE SWITCH**

CW P/N:  
**GTB2B18**